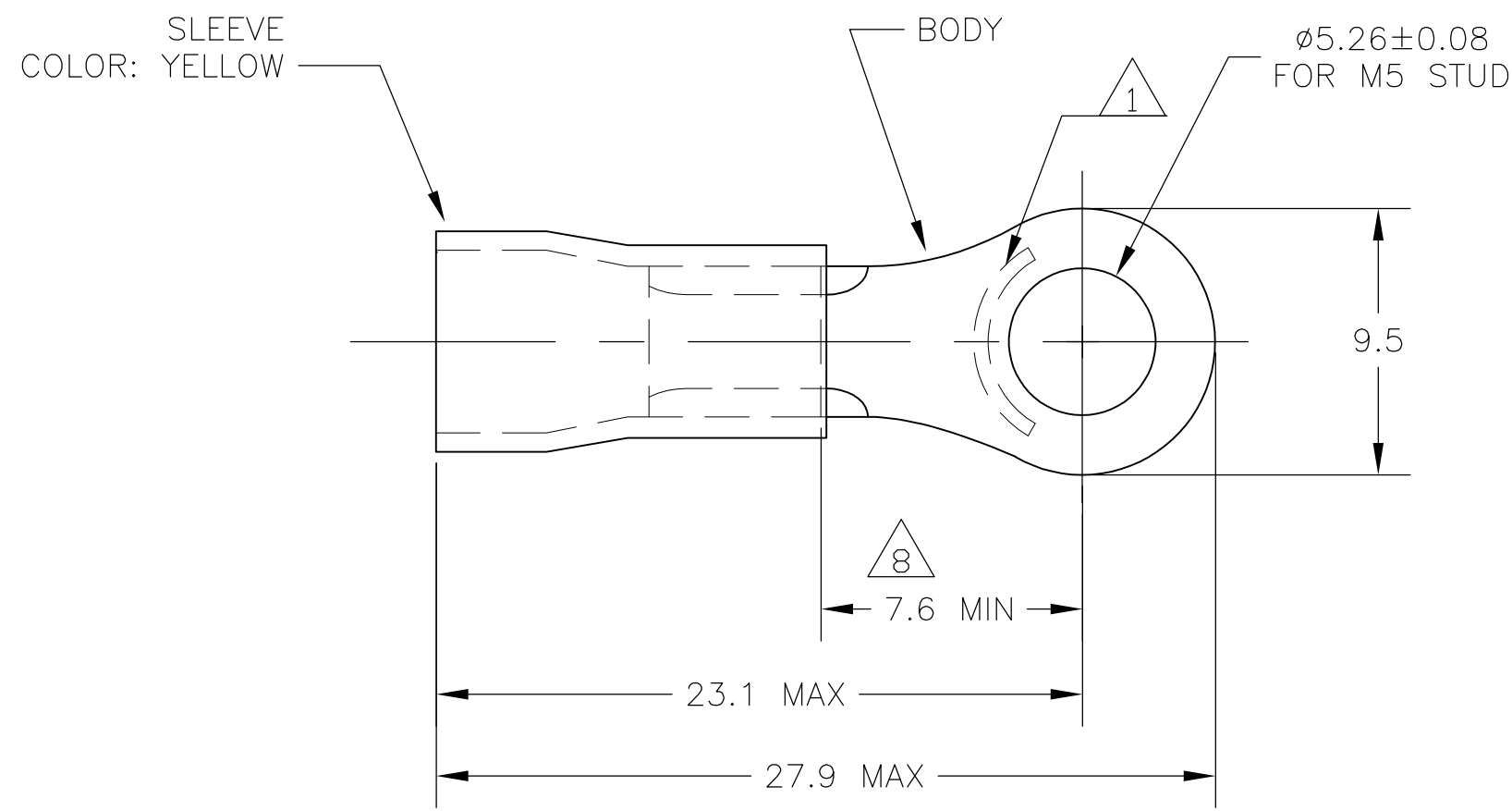


THIS DRAWING IS UNPUBLISHED. RELEASED FOR PUBLICATION  
 © COPYRIGHT - BY TYCO ELECTRONICS CORPORATION. ALL RIGHTS RESERVED.

LOC	DIST	REVISIONS					
G	14	P	LTR	DESCRIPTION	DATE	DWN	APVD
		A		REV PER ECR 08-028314	19NOV08	JR	TM

- 1 STAMP "AMP 12-10\*", LOCATION APPROX AS SHOWN.
- 2 WIRE INSULATION DIA 3.8-6.4
- 3 OPERATING TEMPERATURE 90°C MAX
- 4 VOLTAGE RATING 600V MAX
- 5 CMA 2.62-6.64mm<sup>2</sup> [5,180-13,100]
- 6 MATERIAL:  
 BODY - COPPER PER ASTM B-152  
 INSULATION - PVC
- 7 FINISH:  
 BODY - TIN PL PER ASTM B-545  
 INSULATION - COLOR-YELLOW
- 8 APPLIES FROM EDGE OF METAL WIRE BARREL TO CENTER OF STUD HOLE.
- 9 MATERIAL THICKNESS IS 1.00±0.05



MOUNTED ON TAPE	2-160292-1
LOOSE PIECE	160292
PACKAGE TYPE	PART NO

THIS DRAWING IS A CONTROLLED DOCUMENT.		DWN	jr_ruth	19NOV08	Tyco Electronics Corporation Harrisburg, PA 17105-3608
DIMENSIONS: MM <del>INCHES</del>		CHK	T MICHIELUTTI	19NOV08	
TOLERANCES UNLESS OTHERWISE SPECIFIED:		APVD	T MICHIELUTTI	19NOV08	
0 PLC ± - 1 PLC ± - 2 PLC ± 0.20 3 PLC ± - 4 PLC ± - ANGLES ± 5°		PRODUCT SPEC	NAME		
MATERIAL	FINISH	APPLICATION SPEC	TERMINAL RING TONGUE, PLASTI-GRIP, WIRE SIZE 12:10		RESTRICTED TO
-	-	WEIGHT	A3 00779 C-160292		-
CUSTOMER DRAWING			SCALE	4:1	SHEET 1 OF 1
			REV	A	